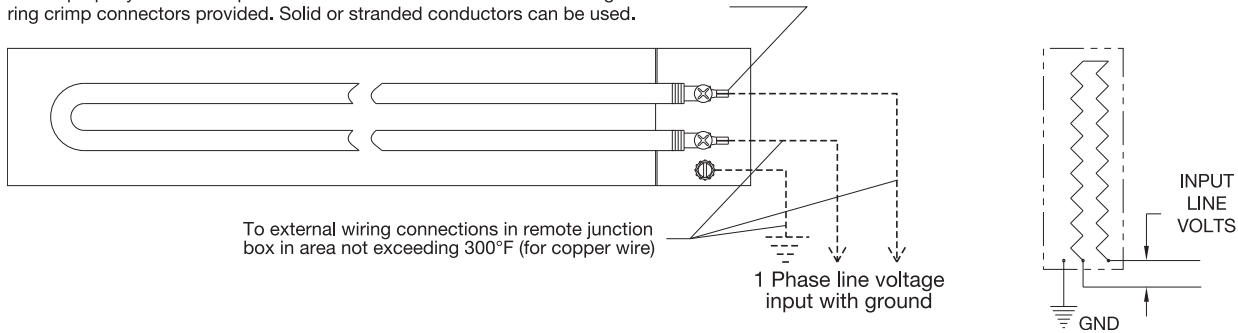


TRH3 (page 7-78) and TRH5 (page 7-80) Standard Single-End Wiring

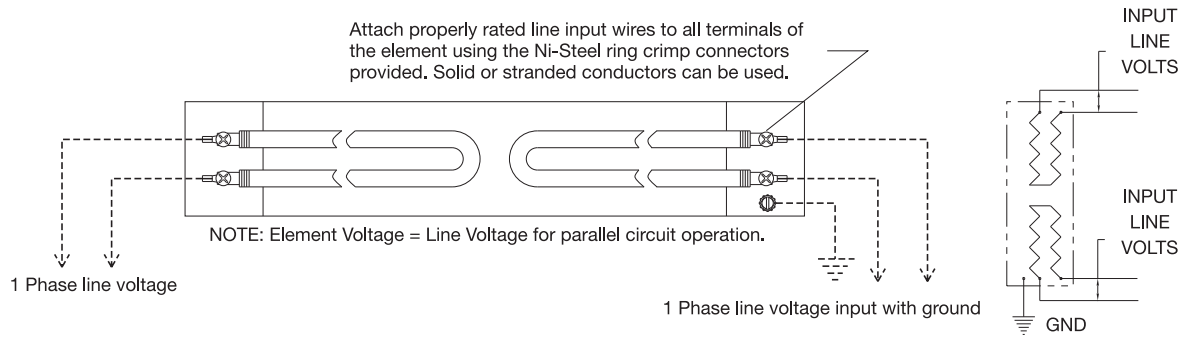
Attach properly rated line input wires to all terminals of the element using the Ni-Steel ring crimp connectors provided. Solid or stranded conductors can be used.



TRH4 (page 7-79) and TRH6 (page 7-81) Standard Double-End Wiring

NOTE: This is the only option available for TRH 6 series.

Attach properly rated line input wires to all terminals of the element using the Ni-Steel ring crimp connectors provided. Solid or stranded conductors can be used.



Wiring Options

Prewired with Plain Leads, Armor Cable or Wire Braid (includes ground wire)

Stainless steel armor cable — 18" armor cable over 24" leads

Galvanized armor cable — 18" armor cable over 24" leads

Stainless steel wire braid — 18" wire braid over 24" leads

Fiberglass leads (450°C rating) — 12" long plain leads

If longer leads and/or longer armor cable are required, specify when ordering.

Prewired with 24" SJO Cable (includes ground wire)

- 16 ga. cable (Up to 15 Amps)
- 14 ga. cable (Up to 22 Amps Max.)
- 12 ga. cable (Up to 28 Amps Max.)
- Max. terminal box temperature 194°F (90°C)
- If longer cable is required, specify when ordering.

Stock Heavy Duty Quick Disconnect Plugs and Connectors

Reference	NEMA P or R	Max. Amps	Volts	Plug Part Number	Connectors (Female) Part Number
P3 straight	5-15	15A	125V	EHD-102-103	EHD-103-102
P4 twist lock	L5-15	15A	125V	EHD-102-113	EHD-103-104
P6 twist lock	L6-20	20A	250V	EHD-102-122	EHD-103-105
P7 twist lock	L6-30	30A	250V	EHD-102-126	EHD-103-125

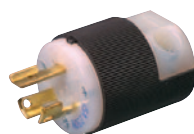
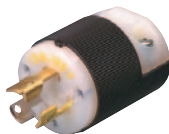


Notes: Optional Electrical Plugs listed can be attached to armor cable or SJO cord described under wiring options above.

Connectors listed are cable mount matching units for the plugs listed and are ordered separately.



P3



P6



P7

All Items Available from Stock