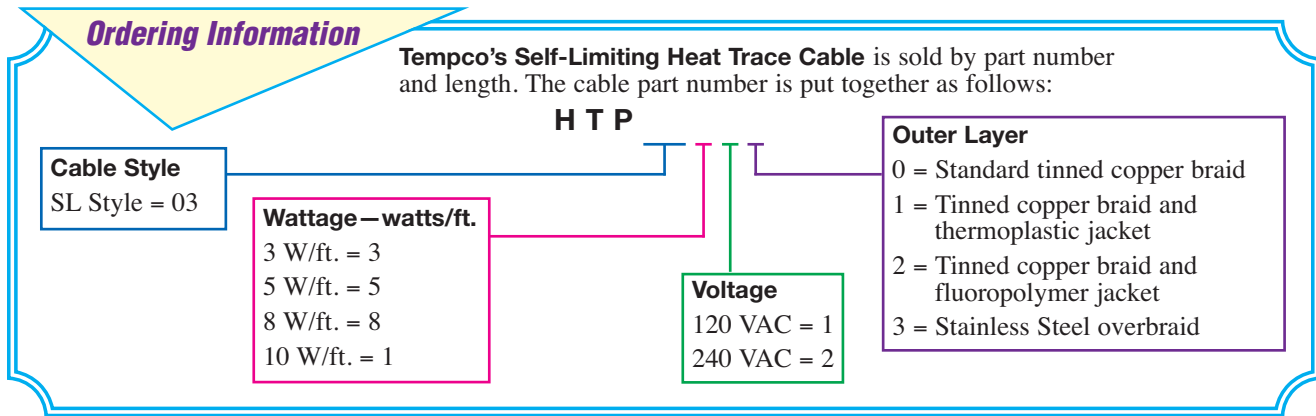


Self-Limiting Heat Trace Cable

Continued from previous page...



⚠ WARNING: Cancer and Reproductive Harm - www.P65Warnings.ca.gov.

Lead Termination and Cable Kits for Self-Limiting Cable

In order to maintain the integrity of the insulation, termination kits must be used to add leads or splice the heating cables. **Both ends must be terminated to use the heat trace cable properly.** The termination kits are designed to fully seal using a general purpose silicone RTV sealant, such as GE RTV108, on the final connections.

Termination Kit Type	"SL" Cable
Universal Connection/ Termination Kit	HTP90021
Splice or Lead End Kit	HTP90022
End Seal Kit	HTP90023

The **Universal Kit** is mainly used to terminate the heat trace cable for pipe trace heating when the heating cable needs to terminate in an NPT pipe standoff for attaching a wiring junction box. The SL kit includes the 1" NPT pipe standoff and materials to make one power input connection, and two end terminations or one power input splice. The junction box is ordered separately; see page 6-13. These assemblies are watertight and suitable for use in Division II hazardous locations.

The **Splice or Lead End Kit** is used for tee splices or cold lead end terminations. Enough material is supplied for 10 tee splices or 10 cold lead end terminations.

The **End Seal Kit** is used to cap off and seal the end of the cable where the bus wires are exposed. Enough material is supplied for 10 end seal terminations.

