

Liquid-Cooled Cast-In Band Heaters for Extrusion Processing

Type CWW — Dual Set of Cooling Tubes within the Same Cast-In Heater

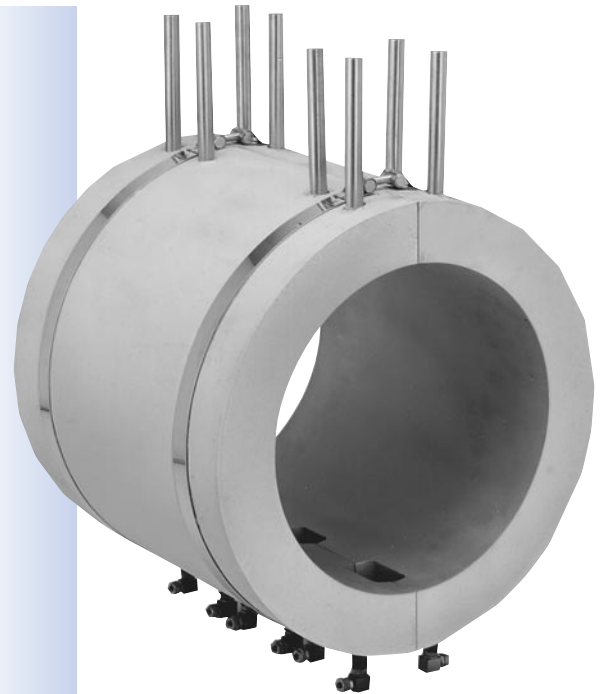
The Dual cooling tube design incorporates two sets of 3/8" or 1/2" diameter tubing formed into a serpentine or any other suitable shape within the same Cast-In Heater. Dual cooling tubes will actually double the operating life of a Cast-In Heater with liquid-cool function, since cooling tube failures usually occur before heating element failures.

There are two main causes for failure on liquid-cooled Cast-In Heaters: Stress corrosion cracking at the exiting point of the tube extensions and clogged lines due to scale build-up that reduces flow, decreasing cooling capacity and finally completely blocking the tube. Once the first set of cooling tubes has failed, reconnect to the spare set and you are back in operation, thus eliminating costly downtime and additional labor for heater replacement. Dual cooling tubes are also used when additional cooling capacity is required.

Cooling tube extensions can be factory equipped with your choice of fittings. Clamping styles are low thermal expansion alloy straps or bolt clamping. If not otherwise specified, supplied with Type S electrical screw termination, 3" long cooling tube extensions and straps for clamping. For a wide selection of electrical and cooling tube termination options, see pages 3-52 through 3-55. See page 3-63 for complete details on how to order.

Design Features

- * Double operating life
- * Greater reliability
- * Reduces costly downtime
- * Better cooling capacity
- * Reduces heater replacement inventory
- * Various heater terminations
- * Available in Bolt Clamping and Strap Clamping
- * Made to customer specifications



Type RC — Non-Exposed Cooling Tubes Recessed NPT Fittings

The recessed cooling tube design incorporates 3/8" or 1/2" diameter tubing formed into a serpentine or any other suitable shape with specially designed stainless steel NPT fittings that are welded to the tube ends and cast below the surface of the Cast-In Heater, thus eliminating the troublesome, commonly used tube extensions as they exit the casting for connection to the coolant lines.

Non-exposed fittings will drastically increase the operating life of a Cast-In Heater with liquid cool function, as this feature eliminates broken and/or damaged cooling tube extensions which are a major factor in premature heater failure. Type RC fittings are available in two female NPT thread sizes, 3/8"-18 and 1/2"-14. Standard clamping styles for Cast-In Band Heater sets are low thermal expansion alloy straps or bolt clamping. Specify fitting thread size and clamping style when ordering. If not otherwise specified, supplied with Type S electrical screw termination and straps for clamping. For fittings with special thread size, consult Tempco with your requirements. See page 3-63 for complete details on how to order.

Design Features

- * Quick and easy installation
- * Exceptionally longer Cast-In Heater life
- * Reduces costly downtime
- * Greater reliability
- * Rugged, durable construction
- * Available on all cooling tube sizes
- * Available in Bolt Clamping and Strap Clamping
- * Made to customer specifications

