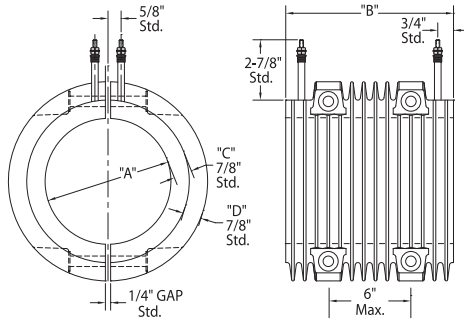
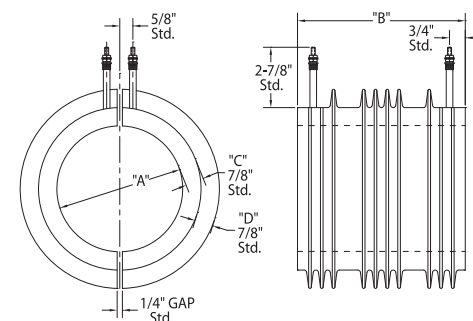


Cast-In Finned Band Heaters Quote Request Form

Finned Cast-In Band Heater Bolt Clamping



Finned Cast-In Band Heater Strap Clamping



Recommended dimensions shown.

Ordering Information

To process your order or quotation, please specify the following information.

Dimensions

Inside Dia. "A" _____ Length "B" _____
 Thickness "C" _____ Fin Height "D" _____

Material Specifications

Aluminum Bronze Brass

Heater End Type

Type FS1 Type FS2
 (See page 3-44 for details.)

Clamping Style

Straps Bolt Clamp

Electrical Specifications

Watts each half _____ Volts each half _____ Phase _____

Terminal Style

"S" Post Terminals "T" Mica Washers "T7" Post Terminals
 "F" Plain Leads "TS" Leads and Shrink Sleeve
 "C4" Ceramic Cover "R1" Armor Cable Leads
 "E" Right-Angle Lugs Other: See pages 3-54 and 3-55 for additional terminations

Surface Finish

125 RMS Standard or to Customer Specifications

Special Cast-In Features

Holes, Cutouts, Slots, Bevels, Mounting Studs, Stand-Offs and Taper Angles
For special features a detailed drawing is required.



Note: For additional cooling, fin castings can be designed with cooling tubes. Consult Tempco with your requirements.

WARNING: Cancer and Reproductive Harm - www.P65Warnings.ca.gov.