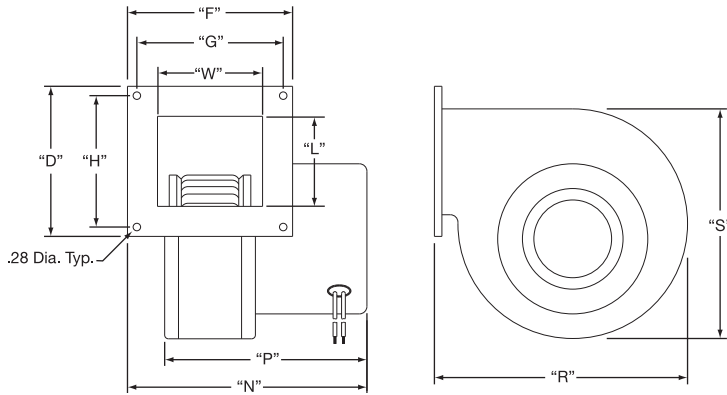


Inlet Guards for Single Inlet Centrifugal Blowers

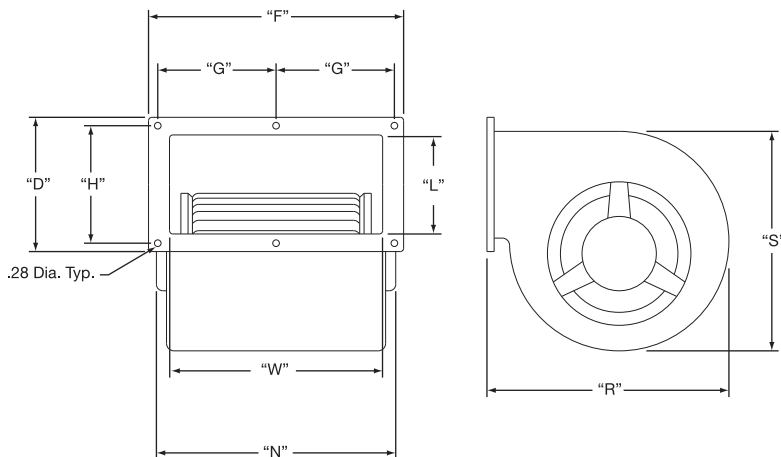
Single Port Blower: Drawing 1



Special cast housing narrow blowers for small extruders or short barrel zone widths are available from 23 up to 350 CFM.

Single port blowers can be obtained up to 1210 CFM for use in large extruder installations. Consult Tempco with your requirements.

Single Port Large Volume Blower: Drawing 2

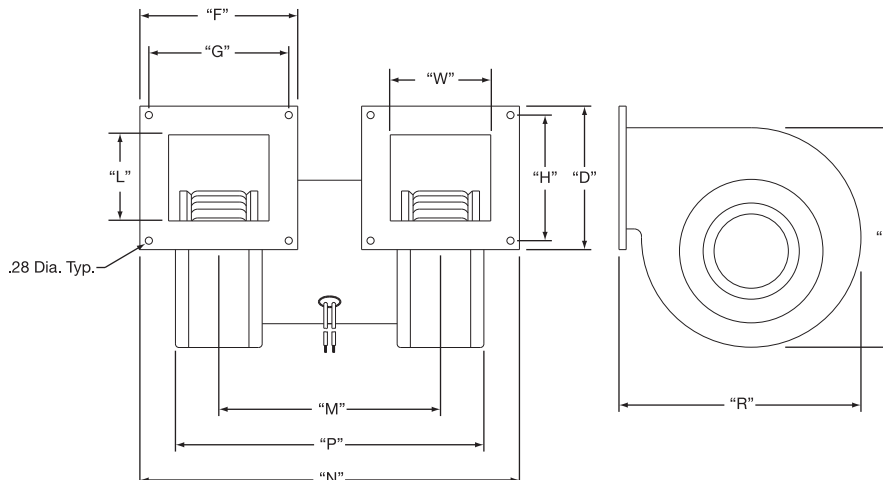


Note: Blower's wheel and motor assembly is mounted within the sheet metal housing, allowing air in from both ends.

Additional sizes of two-speed blowers rated 435/296 are also available. A full range of special dual inlet sizes from 120 CFM up to 1200 CFM can be supplied for extruder zone widths of 6" and longer. Consult Tempco with your requirements.

All CFM Values are with free inlet and discharge and 0" Static Pressure. All Dimensions are in inches.

Double Port Blower: Drawing 3



Note: A smaller 157 CFM version is also available. Special cast housing blowers rated 500 to 600 CFM for use on larger extruders can be obtained. Consult Tempco with your requirements.