

### Conduction Type Thermostats B2 Series — Surface Mounted

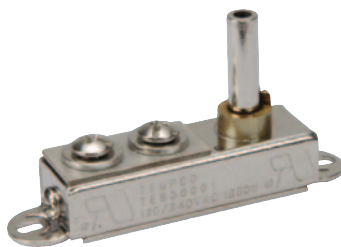
**Tempco Conduction Thermostats** do not use only a bonded bimetal strip. The contacts are opened and closed by the expansion and contraction of the base plate in conjunction with the thermal strip. Single pole, single throw contacts open with temperature rise, providing minimum overshoot, smaller cycling differential and faster response to heat load.

**Installation Note:** The heat-sensitive base plate of the thermostat must be mounted in full contact with the heated surface. This surface should be flat and smooth, and screws should be used for mounting.

Agency Approvals:  File Number E224645

#### Typical Applications

- ➔ Flat Irons
- ➔ Ironers
- ➔ Deep Fryers
- ➔ Roasters
- ➔ Solder Pots
- ➔ Vulcanizers
- ➔ Sealing Machines
- ➔ Sealing Irons
- ➔ Ovens
- ➔ Hot Plates
- ➔ Industrial and Laboratory Applications



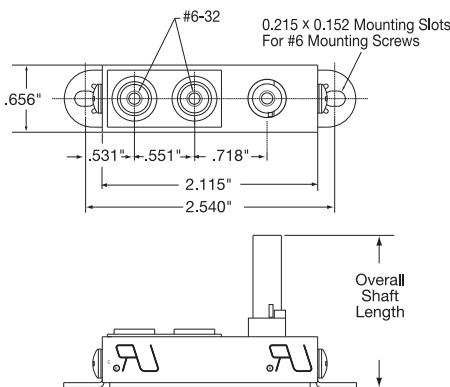
#### Optional Knob

**Part Number: TST-104-118**  
 Markings: 0-10  
 For 1/4" shaft, with set screw  
 Material: Phenolic  
 0.9" Diameter x 0.667" Height

#### Standard Models with Shaft

Designed for installation with the base plate in full contact with heated surface. Pre-drilled holes facilitate mounting.

Temperature Range °F (°C)	Amp Rating @ 120 VAC	Amp Rating @ 240 VAC	Overall Shaft Length	Part Number
50 to 525°F (10 to 274°C)	13.75	6.87	1.5"	TEB30001
50 to 425°F (10 to 218°C)	13.75	6.87	1.5"	TEB30002

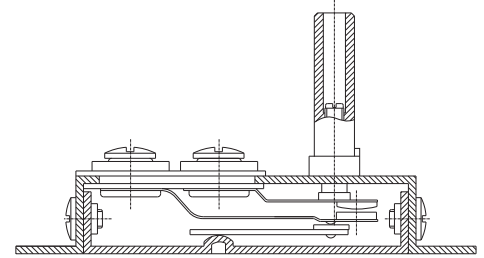


#### Ordering Information

Choose the **Part Number** of the conduction thermostat that is correct for your application.

For pre-set TEB32XXX, TEB33XXX and TEB34XXX thermostats consult Tempco with your desired setpoint for a Part Number.

*All Items Available from Stock*



#### Specifications

**Voltage:** 120 VAC @ 13.75A / 240 VAC @ 6.87A  
**Wattage:** 1650  
**Temperature Tolerance:** ±5°F / 2.7°C  
**Operation Range:** 50 to 570°F (10 to 300°C)  
**Wiring:** Tapped for #6-32 screws (included)  
**Endurance:** 100,000 cycles

**Contact Tempco for your OEM requirements such as special range calibrations or shaft lengths.**

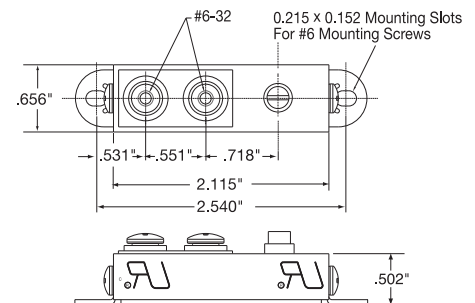


#### Screwdriver Adjustment (optional preset calibration)

Available with factory preset temperature calibration. This feature is optional—if required, specify temperature setting from 72°F (22°C) to 570°F (300°C).

The screw-adjust thermostat is offered in three temperature ranges:

Temperature Range °F (°C)	Pre-Set Tolerance	Amp Rating @ 120 VAC	Amp Rating @ 240 VAC	Part Number
50 to 249°F (10 to 121°C)	±10°F / 6°C	13.75	6.87	TEB32000
250 to 399°F (121 to 204°C)	±15°F / 8°C	13.75	6.87	TEB33000
400 to 570°F (204 to 300°C)	±20°F / 11°C	13.75	6.87	TEB34000



 **WARNING:** Cancer and Reproductive Harm - [www.P65Warnings.ca.gov](http://www.P65Warnings.ca.gov).

(800) 323-6859 • Email: [sales@tempco.com](mailto:sales@tempco.com)