

### Power Input

**Standard:** 90 - 264 VAC, 50/60 Hz, 5VA

### Signal Input

**Accuracy:**  $\pm 1.0\%$  of full scale at 77°F/25°C

**Thermocouple:** Type J or K

**RTD:** 3-wire Pt100 DIN or JIS

**Sampling Rate:** 3 samples per second

**Cold Junction Compensation:**  $\pm 0.1^\circ\text{C} / 1^\circ\text{C}$

**Common Mode Rejection Ratio (CMRR):** 120 dB

**Normal Mode Rejection Ratio (NMRR):** 60 dB

**Sensor Break Protection:** Upscale

### Output

**Relay Rating:** 240 VAC, 5 Amp

**SSR drive:** Pulsed DC, 20 V at 20 mA maximum

**Current:** 4 - 20 mA, 0 - 20 mA, maximum load: 500Ω

**Voltage:** 0 - 10 VDC, minimum load 500KΩ

### Control

**Proportional Band:** 2.2% of span

**ON-OFF Hysteresis:** 1% of span

**Cycle time:** 20 seconds for relay output, 1 second for pulsed voltage output, 0.02 second for linear current or voltage output

**Control Action:** Reverse Action

### Approval Standards

**Safety Standard:** UL3121-1

**Protective Class:** Front panel: IP 30

Housing and Terminals: IP 20

**EMC:** EN61326

### Adjustment

**Setpoint:** 3-digit or 4-digit pushwheel switch

**Manual Reset:** Adjustable up to 2.6% of span

**Setpoint Resolution:**  $\pm 1$  Least Significant Digit

**Accuracy of Setpoint:**  $\pm 1\%$  of span

**Repeatability of Setpoint:**  $\pm 1$  Least Significant Digit

### Alarm

**Type:** Deviation  $\pm 10\%$  of span **Relay:** 2A / 240 VAC

### Display

**Process Indicator:** 3-1/2 digit, 0.4" / 10 mm red LED display

**Output Status Indicator:** Red LED lamp

**Alarm Status Indicator:** Red LED lamp

### Environmental and Physical

**Operating Temperature:** 32 to 122°F (0 to 50°C)

**Humidity:** 0 to 90% RH, non-condensing

**Dielectric Strength:** 2000 VAC, 50/60 Hz for 1 minute

**Vibration:** 10 - 55 Hz, amplitude 1 mm

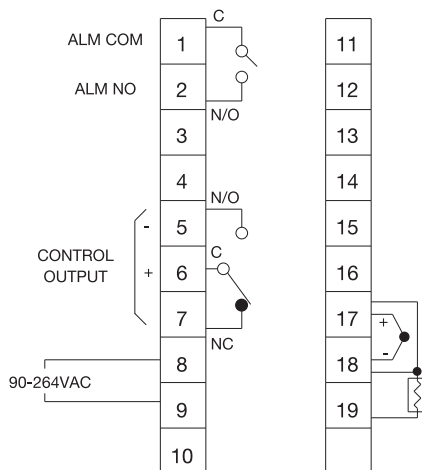
**Shock:** 200 m/s<sup>2</sup> (20g)

**Dimensions:** 3-3/4 × 1-7/8 × 3-1/8" (96 × 48 × 80 mm) H×W×D  
Depth behind panel: 2-9/16" (65 mm)

**Panel Cutout:** 3-5/8" × 1-25/32" (92 × 45 mm) H×W

**Weight:** 0.42 lb. (190 grams)

### Rear Terminal Connections



### Stock and Common Part Numbers (Power Input: 90-264 VAC, Proportional Mode)

| Part Number | Signal Input | Range    | Output | Alarm |
|-------------|--------------|----------|--------|-------|
| TEC35521    | J tc         | 0-999°F  | relay  | none  |
| TEC35522    | J tc         | 0-499°F  | relay  | none  |
| TEC35523    | K tc         | 0-1999°F | relay  | none  |
| TEC35524    | K tc         | 0-999°F  | relay  | none  |
| TEC35525    | J tc         | 0-499°C  | relay  | none  |
| TEC35526    | J tc         | 0-299°C  | relay  | none  |
| TEC35527    | K tc         | 0-999°C  | relay  | none  |
| TEC35528    | K tc         | 0-499°C  | relay  | none  |
| TEC35529    | RTD          | 0-999°F  | relay  | none  |
| TEC35530    | RTD          | 0-499°C  | relay  | none  |