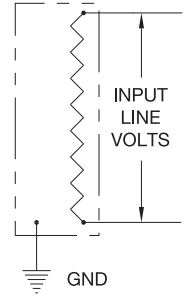
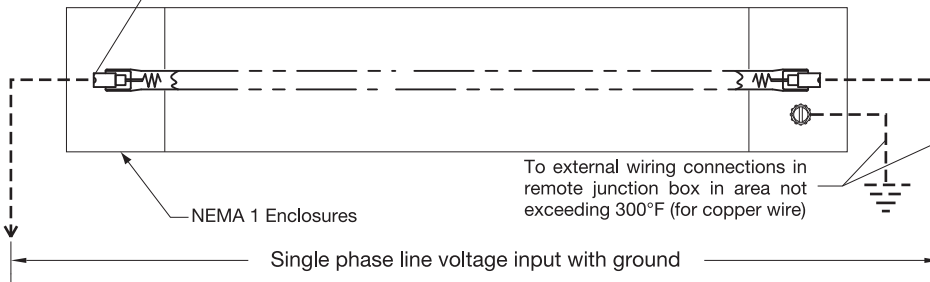


### Standard Double-End Wiring

**NOTE:**  
Allow for element movement when wiring inside this end.

Attach properly rated line input wires to both element ends using the nickel-plated steel ring crimp connectors provided. Solid or stranded conductors can be used.



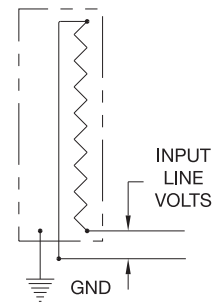
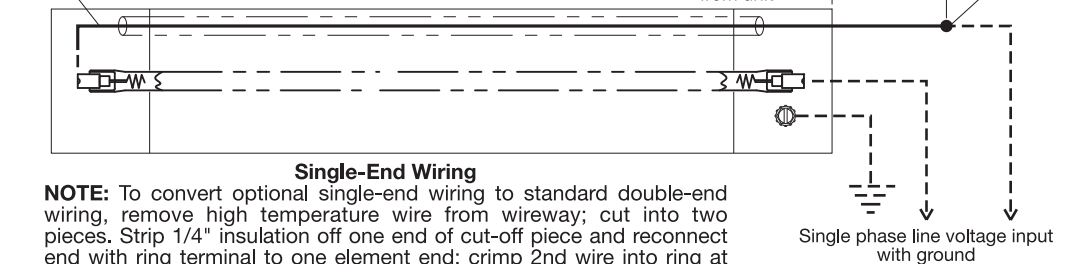
### Optional Single End-Wiring

Single return wire rated for 842°F (450°C), 600V is supplied in internal wireway for line input at ground lug end.

External wiring connection in remote junction box in area not exceeding 300°F (for copper wire)

**CAUTION:** Do not cut or connect to this wire inside QRH housing. For connection to field wiring within external junction box only.

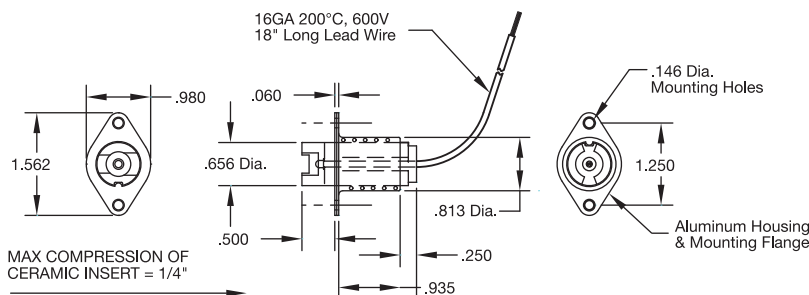
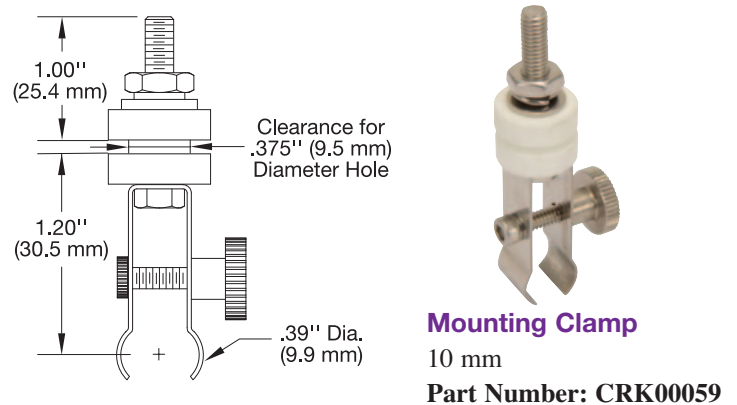
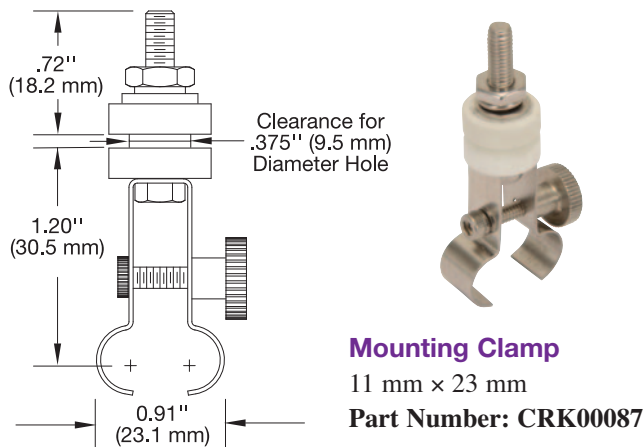
Wireway conductor extends 12" from unit



#### Single-End Wiring

**NOTE:** To convert optional single-end wiring to standard double-end wiring, remove high temperature wire from wireway; cut into two pieces. Strip 1/4" insulation off one end of cut-off piece and reconnect end with ring terminal to one element end; crimp 2nd wire into ring at opposite element end.

### Lamp Accessories



#### Mounting Clamp

Used for mounting & wiring lamps with R7s termination. 600 volts maximum. 350°C maximum operating temperature.

Part Number: LMP-103-101

### Wiring Options

Series QRH Heaters can be prewired with plain leads, stainless steel armor cable, galvanized armor cable, stainless steel wire braid or SJO cable. For additional information See Wiring Options on page 7-17.